



Sovitron Interior Pvt.Ltd.



<b>Model Name</b>	GOTHIC-1145F/DL-OSL-1145FE-1
<b>Description</b>	Flood light

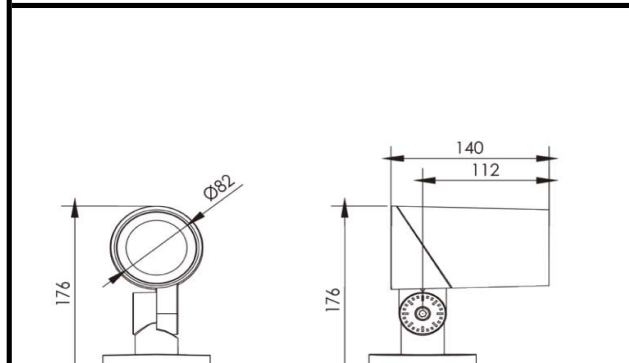
Technical description	Image
-----------------------	-------

<b>Dimension</b>	Dia=82mm L=140mm H=176mm
<b>Frame</b>	Aluminium Die-cast
<b>Color Tempertaure</b>	4000K
<b>Power</b>	10 W
<b>Total Luminous Flux</b>	900 lm
<b>Efficacy</b>	90 lm/W
<b>IP rating</b>	66
<b>Beam angle</b>	3 ,8, 25, 10X45 Degree
<b>Color Rendering</b>	≥80
<b>Mounting</b>	Surface
<b>Optics</b>	Lens & Clear Glass
<b>Dimming</b>	NON-Dimmable
<b>Operating Voltage</b>	220-240 VAC
<b>Standard Lifetime</b>	L70 minimum at 50,000 burning hours



Dimension diagram
-------------------

<b>Remarks:-</b>
------------------



Address: Plot #7 Saroorpur-Nangla Industrial Area,Ballabgarh-Sohna Road,Faridabad-121005  
Email: info@sovitron.com